

Model 1354

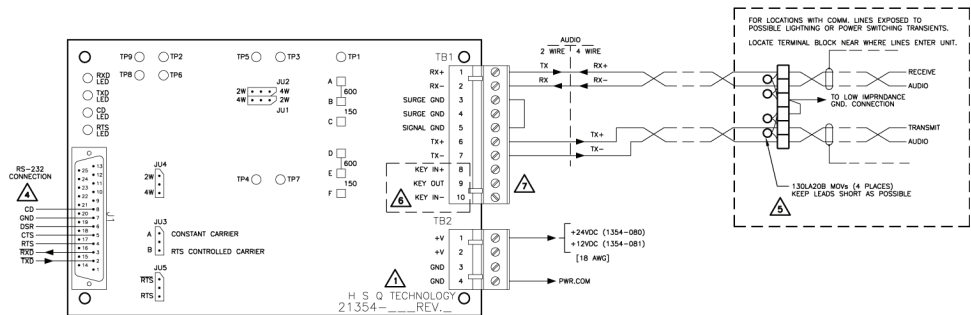
Asynchronous 202DL Modem



Technical Summary

Key Features

- ◇ Bell 202 Compatible Modem
- ◇ Up to 1200 bps Transmit Speed
- ◇ Input Signals at RS-232 or TTL Levels
- ◇ Optically Isolated Output Signal



Model 1354 connection diagram

The HSQ Model 1354 board is a low cost, asynchronous, Bell 202 compatible modem for use over dedicated lines and radio frequencies. It is a PC board that can be mounted on standoffs. The 1354 operates at speeds of up to 1200 bps over two wire or four wire unconditioned lines. It accepts input signals at RS-232 or TTL levels. The optically isolated output signal line can control a transmitter for RF applications.

SPECIFICATIONS

Input/Output

- **Input:**
 - Voltage:** +24 V_{DC} (+12 V_{DC} optional)
 - Current:** Less than 200 mA at 24 V_{DC}
 - Impedance:** 600 ohms (150 optional)
- **Output:**
 - Level:** +5 dBm to -25 dBm (adjustable)
 - Frequency:** ±5% of carrier
 - Impedance:** 600 ohms (150 optional)

Modem Details

- **Receiver Sensitivity:** +10 dBm to -25 dBm
- **Carrier Detect:**
 - Threshold:** +10 dBm to -25 dBm (adjustable)
 - Delay:** 12 ms
- **Carrier Mode:** Constant or controlled RTS
- **Modulation:** FSK, 1200 Hz mark 2200 Hz space

Protection

- **Transient Protection:** 7 V minimum standoff 12 V maximum clamping (40 A peak amplitude, 10 x 100 ms pulse)

General

- **Indicator LEDs:** Receive Data, Transmit Data, Carrier Detect, RTS
- **Interconnects:** **Power/line:** Plug-in type, screw terminal block **Signal:** 25-pin RS-232 standard

Environment

- **Operating Temperature:** 0° – 60° C (32° – 140° F)
- **Storage Temperature:** -20° – 85° C (-4° – 185° F)
- **Humidity:** 5 – 95% RH (non-condensing)
- **Dimensions:** 102 x 152 x 25 mm (4 x 6 x 1 in.)